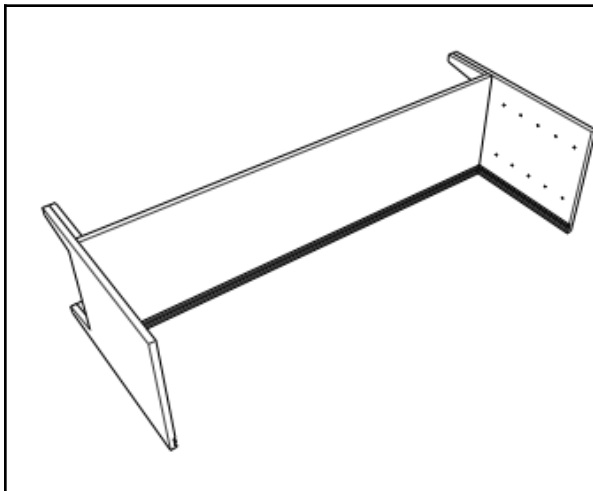


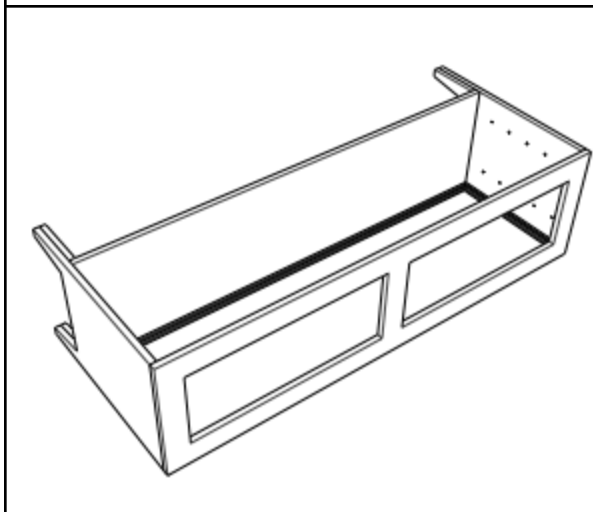
Hensikt Modern Sideboard Instructions

I have test assembled this piece prior to shipping it to you. As I disassembled it, I wrote alphabetical characters on each piece that match. Use these to help understand which pieces go together.

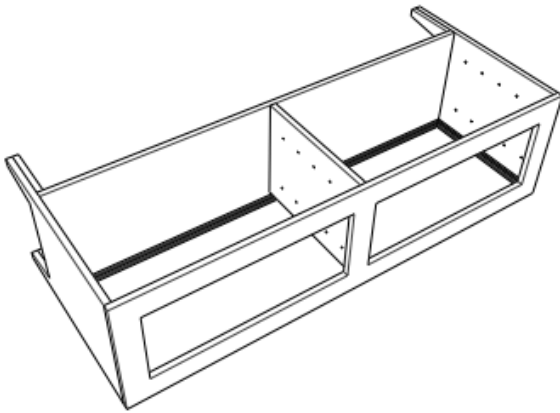
The black screws are coated in iron oxide by the supplier. This looks nice but I noticed some residue can get on your fingers while installing screws. Wipe your fingers occasionally so you don't make smudges on the piece. If smudges do occur, use a damp cloth to wipe. I'm testing cleaning the screws prior to shipping to limit this problem.



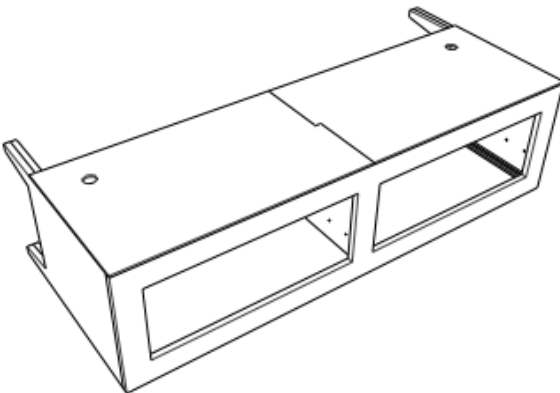
Identify the two side and the bottom pieces. They have markings on them which indicate the front of the unit. Begin with the front facing down. Use 6 of the long black screws to fasten. These are the trickiest panels to assemble, because of the way the screws sit next to the walls. The rest of the steps are easier.



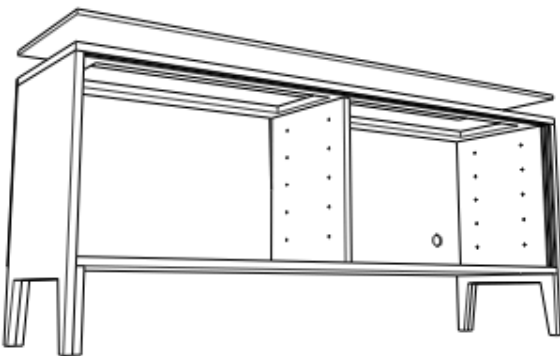
Identify the open top piece. Point the front down. Make sure the slots are matching up with the other slots in the side panel. Use 6 of the long black screws to fasten.



Identify the middle piece. Note the alphabetic characters and front markings to help you match it up correctly.
Use 6 of the long black screws to fasten.

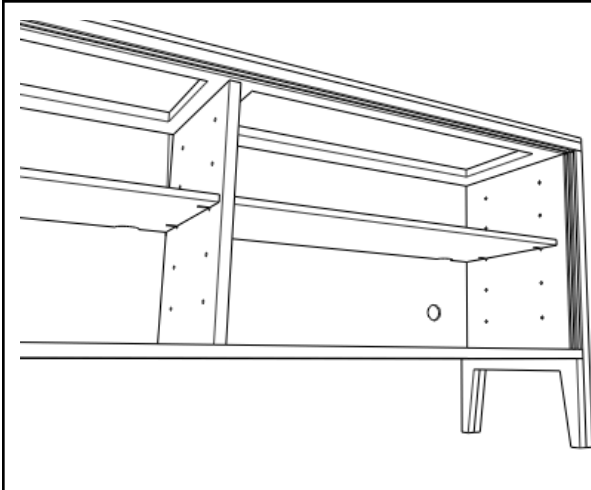


Identify the two back pieces.
Decide if you would like the holes (for cords etc) to be low or high.
Set them in position.
Use all of the short black screws to fasten them in place, loosely at first, and then tighten after all screws are in.



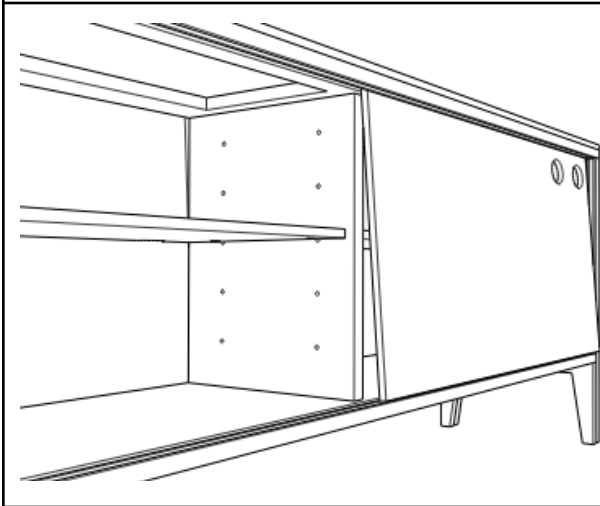
Turn the unit up onto its feet.
Identify the top cap and use the alphabetic characters to help you align it into position.
Use the gold brass screws to fasten it in place*.

*I know it's less fun installing wood screws with a slotted screwdriver. At the moment I don't have a good solution for threaded inserts for the top panel.

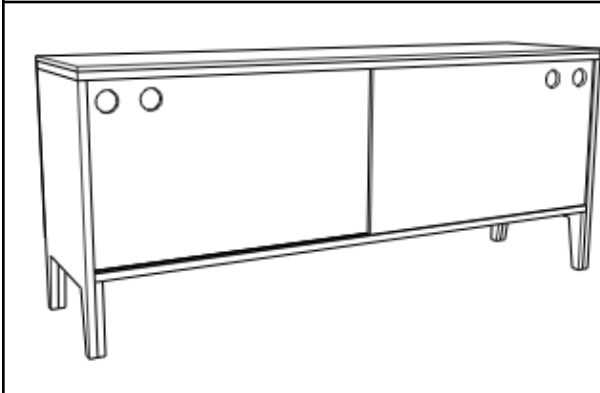


Next select both of the shelves.
Take the wood pins and press them into the holes that correspond with the height you prefer. Sometimes I mark "LEFT" and "RIGHT" on the backs of the shelves**. Check yours, if they are labeled then match their location correctly.

**Sometimes I custom adjust shelves to account for panel warp.



Time for the doors!
The door that sits furthest back needs to go in first. Lift the door into the top of the slot, then let it sit down into the bottom of the slot. Do the same for the front door.



All done!

Thank you for choosing my work. If you have any suggestions for me, I would love to hear them so I can make it better.

Isaac@modernethic.com